
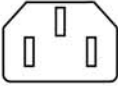
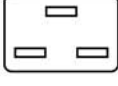


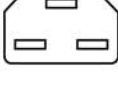


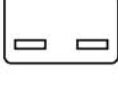




IEC 60320 CONFIGURATIONS:

CONNECTOR	CURRENT RATING	TEMP. RATING	EQUIP. CLASS	CONNECTOR	CURRENT RATING	TEMP. RATING	EQUIP. CLASS	CONNECTOR	CURRENT RATING	TEMP. RATING	EQUIP. CLASS
 C1/C2	2.5	70°C	II	 C13/C14	10/15	70°C	II	 C19/C20	16/20	70°C	I
 C5/C6	2.5	70°C	I	 C15/C16	10/15	120°C	I	 C21/C22	16/20	155°C	I
 C7/C8	2.5	70°C	II	 C15A/C16A	10/15	155°C	I	 C23/C24	16/20	70°C	II
 C9/C10	6	70°C	II	 C17/C18	10/15	70°C	II				